

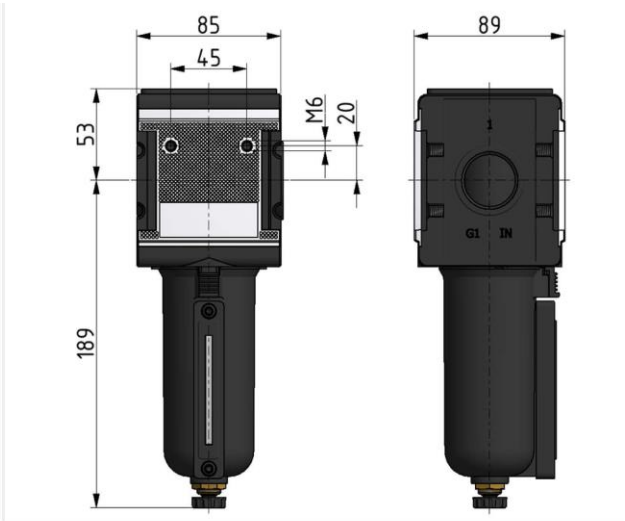
»multifix« series

Centrifugal separators with a sintered filter element.

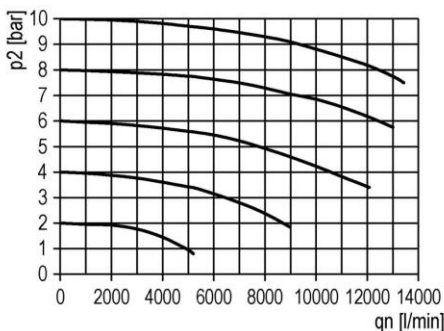
Max. medium temperature: 60 °C  
 Max. ambient temperature: 60 °C  
 Drain vale: Semi-automatic  
 Flow rate measurement: At P<sub>1</sub> = 6 bar and pressure drop Δ<sub>p</sub> = 1 bar

Filter with metal bowl and sight glass								
Art. No.	Type No.	Thread	Max. input pressure bar	Housing	Filter rating μm	Flow rate l/min	Size	DN
133113	F 44 M-SR	G 3/4	20	Die-cast aluminium	5	8000	4	20

Accessories / spare parts		
Art. No.	Type No.	Description
135858	ZW 45	Mounting bracket with 2 screws
135857	KP 45	Coupler pack for modular assembly of several devices
135859	KSS 45 F-HA	Polycarbonate bowl, Bowl guard with semi-automatic draining
135860	KSS 45 F-A	Polycarbonate bowl, Bowl guard with fully automatic draining
135861	MS 45 FS	Metal bowl with sight glass and semi-automatic draining
135862	MS 45 FS-A	Metal bowl with sight glass and fully automatic draining
100362	655.6.900	Automatic drain valve
100144	6141.6.905	Filter element 5 μm, cellpor



flow characteristic



symbol

